

TEKNEK HANDYCLEAN

COMPACT CLEANING FOR INCREASED YIELDS

A compact table top unit with many applications for just-in-time cleaning of substrates.

The Teknek HandyClean is the industry standard for high performance cleaning of small, flat substrates.

A specially formulated elastomer roller runs in contact with the substrate to be cleaned. This roller lifts contamination as small as one micron and transfers it to a highly engineered precision adhesive roll, where the contamination is trapped. A powerful anti-static system is incorporated within the machine to ensure dust is not re-attracted to the cleaned material.



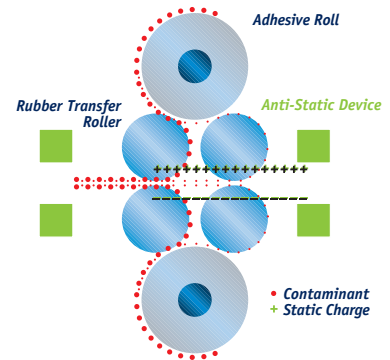
Popular applications for the Teknek HandyClean include Flat panel Displays, Back Light Units, Credit Cards, Smart Cards, Ceramic Circuits, Flexible Circuits, Electroformed parts, Lenses and many more.

Features

- Variable running speeds
- Powerful integrated anti-static system
- Four mini elastomer cleaning rollers
- Two high performance mini adhesive rolls
- Easy to use cleaning 'cartridge'
- Simple multi-direction operation

Benefits

- Reduces rejects
- Increases yield
- Rapid pay back
- Increases quality and productivity

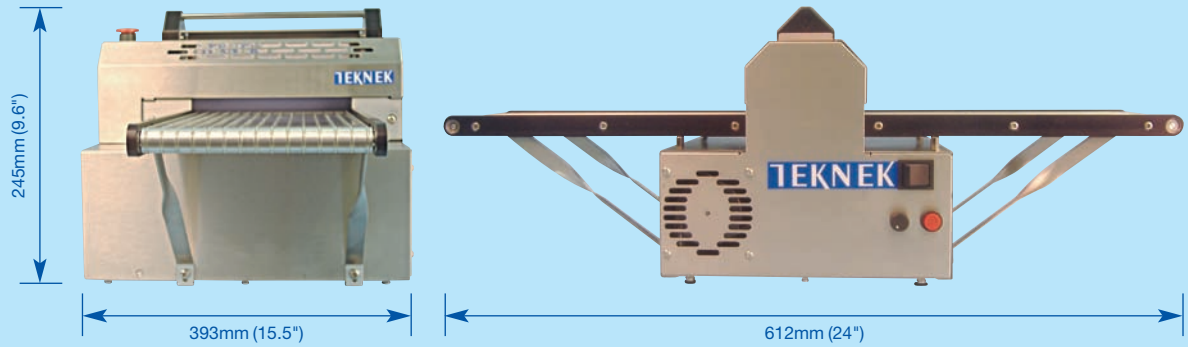


HANDYCLEAN SERIES

TEKNEK

TEKNEK, THE FIRST AND BEST IN CONTACT CLEANING

SPECIFICATIONS



SPEED	CLEANING WIDTH	BODY WIDTH
2 – 25 m/min (6.5 – 82 ft/min)	up to 254 mm (10") Other sizes on request	393mm (15.5")
CONVEYOR	OPTION	
Short Long	120 mm (4.5") 250 mm (10")	
POWER REQUIREMENTS	ANTI-STATIC	
110v 50/60Hz 240v 50/60Hz	Integrated 7Kv anti-static system	

Established in 1984, Teknek are the first and most innovative provider of cleaning solutions world-wide. Teknek's commitment to innovation and quality means continuous investment in cleaning technology with an R&D department, in-house roller manufacture and an advanced computer business system for fully integrated manufacturing. With over 180 staff, based at our 10 sites world-wide, supporting our 90 plus distributors and over 13,000 installations, Teknek are the undisputed world leader in contact cleaning.



Teknek Global Headquarters

TEKNEK EUROPE/ASIA LTD

River Drive, Inchinnan Business Park, Renfrewshire, PA4 9RT, Scotland, UK
Tel: +44 (0) 141 568 8100 Fax: +44 (0) 568 8101 e-mail: teknek@teknek.com

TEKNEK JAPAN LTD

Meiji-Yasuda Seimei Bldg 1F, 6-83 Onoe-cho, Naka-ku, Yokohama City, Japan 231-0015
Tel: +81 (0) 45 640 0670 Fax: +81 (0) 45 640 0671

TEKNEK CHINA LTD

14/F, Block C Hang Wai Industrial Centre 6 Kin Tai Street, Tuen Mun, Hong Kong
Tel: +852 2468 3160 Fax: +852 2462 3036

TEKNEK

River Drive,
Inchinnan Business Park,
Inchinnan, PA4 9RT,
Scotland, UK.
Tel: +44 (0) 141 568 8100
Fax: +44 (0) 141 568 8101

www.teknek.com

TEKNEK, THE FIRST AND BEST IN CONTACT CLEANING